

## OPERATING INSTRUCTIONS/MAIN SEAL REPLACEMENT

Page 1 of 3



### Connector Maintenance:

- A daily, weekly and periodic inspection of the connector by competent person is recommended. User must establish a regular interval for maintenance as determined by the user media and operational environment.
- Inspection should include visual checks of the sealing area, handle wear, missing or loose components, leak tightness, ease of operation, sufficient lubrication, wear, dirt accumulation and damage.
- Establish a regular interval for lubrication. The media and environment will be determining factors in establishing this interval to prevent dryness and/or corrosion.
- Difficulty of operation after continual use indicates a need for lubrication or other maintenance.
- Use only original **FasTest** spare parts that are designed for the application and are subject to strict quality control. See Warranty.

### Safety Warnings – Guidelines:

- If instructions are not completely understood by operator or components are missing, contact **FasTest** before attempting use of the connector.
- Application Safety: All **FasTest** products have been designed with safety in mind, however, it is the responsibility of the products users to design each process in such a way to avoid mishaps that can cause physical hazard or property loss. Secondary restraints such as safety chains, shields, cages or fixtures are all good choices depending on the application. **FasTest** can recommend or assist you in clarifying potential hazards of your application.
- **FasTest VDA** Connectors are not internally valved, and will not prevent loss of media when disconnected. Do not attempt to disconnect unless safe conditions are met.
- **FasTest VDA** Connectors must only be used with test pieces of a specific size as indicated by the part number. Improper use could cause separation of the connector from the test piece resulting in physical harm or damage.

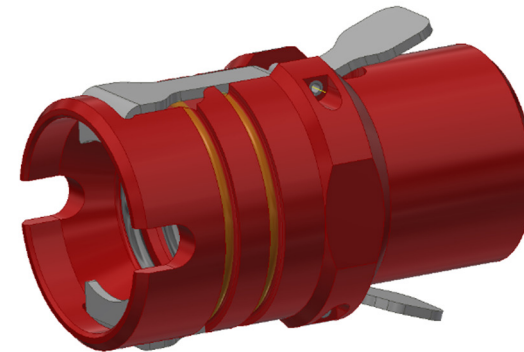
### **FasTest, Inc. Product Warranty**

FasTest, Inc. warrants its products against defects of workmanship and/or material for 1 year from the date of the sale by FasTest, Inc. This warranty is void if the product is misused, tampered with or used in a manner that is not in accordance with FasTest, Inc. recommendations and/or instructions. FasTest, Inc. is not liable for consequential or other damages including, but not limited to, loss, damage, personal injury, or any other expense directly or indirectly arising from the use of or inability to use its products either separately or in combination with other products. ALL OTHER WARRANTIES EXPRESSED OR IMPLIED, WHETHER ORAL OR WRITTEN, INCLUDING BUT NOT LIMITED TO WARRANTIES OR MERCHANTABILITY OR FITNESS FOR A PARTICULAR PURPOSE ARE EXPRESSLY EXCLUDED.

Remedy under this warranty is limited to replacement of the product or an account credit in the amount of the original selling price, at the option on FasTest, Inc. All allegedly defective products must be returned prepaid transportation to FasTest, Inc. along with information describing the products performance, unless disposition in the field is authorized in writing by FasTest, Inc.

## **VDA Series Connectors**

**Description:** *VDA Series Connectors to Grip and Seal Male Feature.*



**VDA** Connectors provide a reliable leak-tight connection that grips and seals male features.

Please thoroughly read and understand these operating instructions prior to operating the connector. The use of pressurized media for sealing and testing requires a thorough understanding of the **FasTest VDA** Operating Instructions.

- Installation
- Mechanical Operation
- Main Seal Replacement
- Connector Maintenance
- Safety Warnings – Guidelines

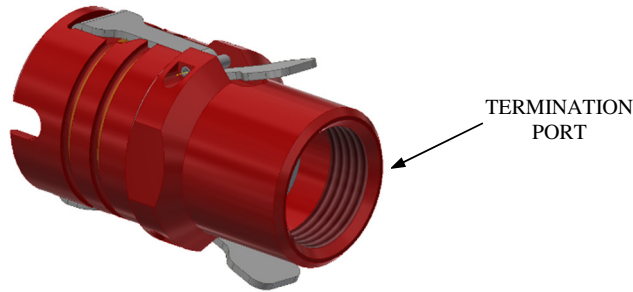
## OPERATING INSTRUCTIONS/MAIN SEAL REPLACEMENT

Page 2 of 3

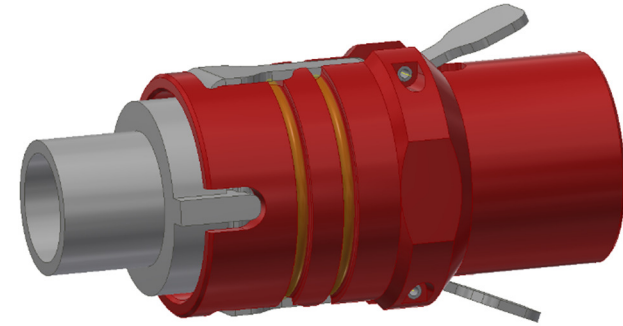


### **Installation:**

1. Connect supply line to the termination port.
2. Maximum termination pressure is marked on connector or literature.



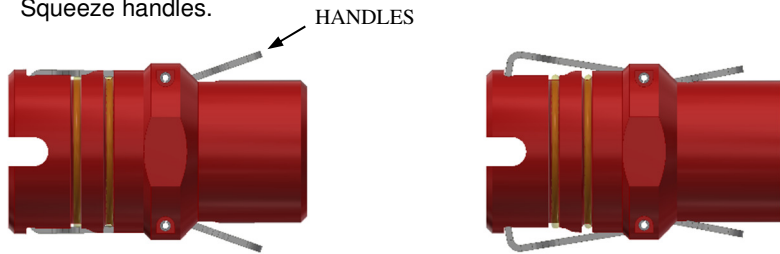
4. Push connector onto test piece, handles will connect/collapse into groove on the VDA connector.



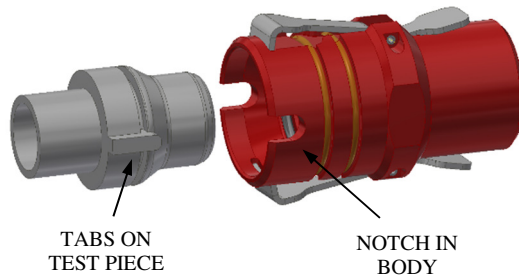
### **Mechanical Operation:**

#### **Connecting Action:**

1. Squeeze handles.



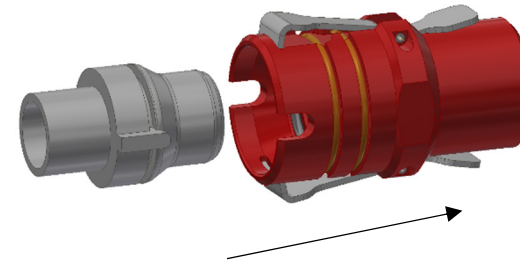
2. Continue to squeeze handles as connector is pushed onto the VDA test piece.
3. Notches in the connector body must line up with the tabs on the VDA test piece.



5. Activate test pressure.
6. Run test.

#### **Disconnecting Action:**

1. Relieve test pressure.
2. Squeeze handles and pull connector off of the test piece.



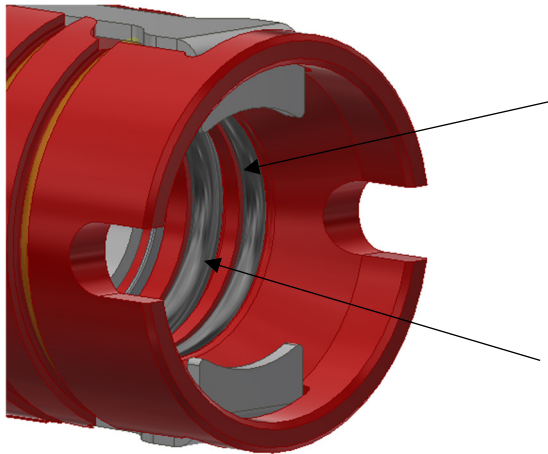
## OPERATING INSTRUCTIONS/MAIN SEAL REPLACEMENT

Page 3 of 3



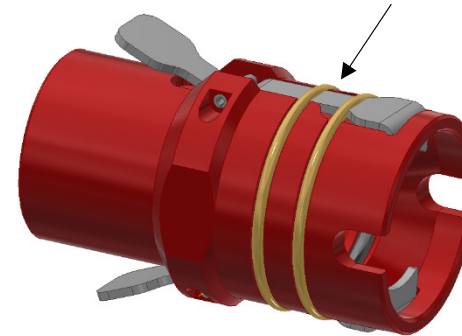
### **MAIN SEAL REPLACEMENT:**

1. Main seals can be extracted without dis-assembling the connector.
2. Use either a sharp pick or a small flat blade screw driver to remove main seals and discard.
  - a. **USE CAUTION NOT TO SCRATCH MAIN SEAL GROOVES WHEN REMOVING O-RINGS.**



### **External Retaining O-Rings**

1. The external o-rings that come in the main seal bulk pack can be replaced as needed and determined by the operator. Two per connector.



2. No lubrication required for these external o-rings.

3. Lubricate new main seals with Krytox and install into grooves. No tools required to perform installation.